



Bids & Awards Committee

SUPPLEMENTAL BID BULLETIN No. 01

**PROCUREMENT OF VARIOUS SUPPLIES & MATERIALS IN
PREPARATION FOR THE LIMITED FACE TO FACE CLASSES OF THE
UNIVERSITY (2ND BIDDING)**

This Addendum No.01 is issued to clarify, modify or amend items in the Bid Documents. This shall form an integral part of the Bid Documents.

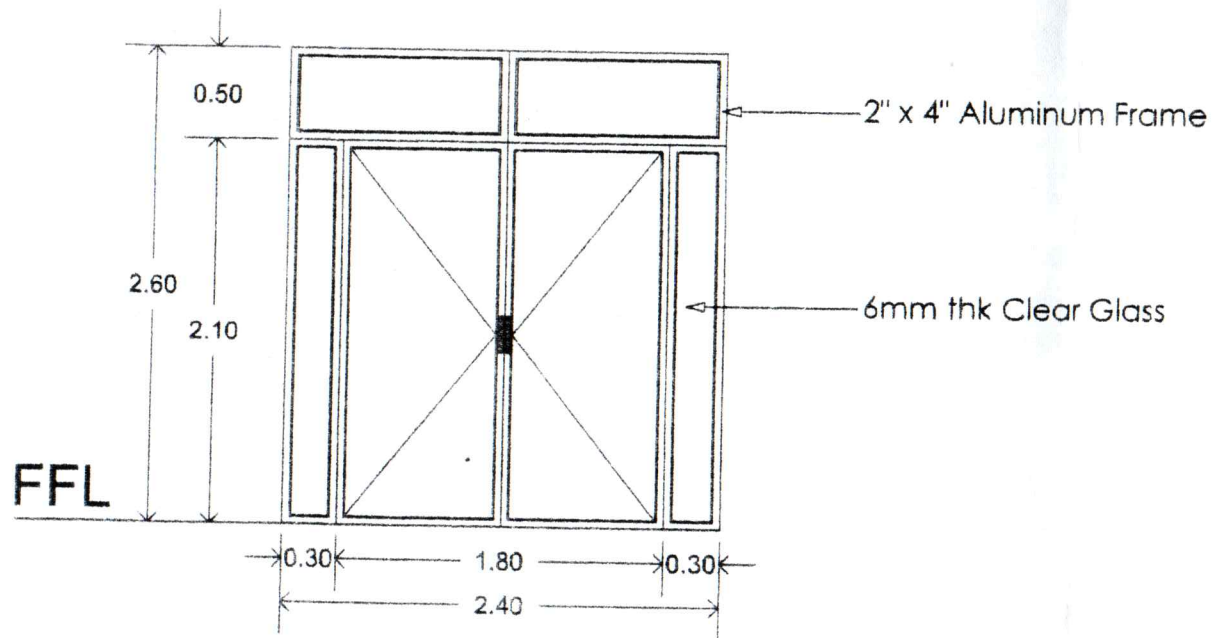
SECTION VI. SCHEDULE OF REQUIREMENTS

Item No.	ORIGINAL	Item No.	CLARIFICATION/AMENDMENT (Complete Specifications)
Lot 1		Lot 1	
1	Door Jamb	1	Ready to assemble/ fabricate 2" x 6" x 8'
29	Gang box	29	PVC Utility Box Surfaced Type
33	Electrical Tape (1 inch)	33	¾"
53	Toilet Bowl	53	With Flush
54	Aluminum Double Swing Door -Supplies & Installation	54	(please refer to the attached picture below)
65	Acrylic Sheet Transparent - table top W: 45" L:40"	65	(please refer to the attached picture below)
Lot 2		Lot 2	
	Signages/Tarpaulins		Heavy Duty Signages/Tarpaulin

For guidance and information of all concerned.

Issued this 21st day of March 2022 at SLSU Main Campus, Sogod, Southern Leyte.

(Sgd.)
MABEL R. CALVA, MPA
BAC Chairperson



D
1

Aluminum Double Swing Door
1 set

- Supplies & Installation

Ceramics Pkg

slugs -

